

Product data sheet

Characteristics

XY2CEDA197

Dual emergency stop rope pull switch,
Telemecanique rope pull switches XY2C, e
2x(1NC+1NO), Pg13.5, flush pb, pilot light 230 V



Product availability: Non-Stock - Not normally stocked in distribution facility

Price*: 424.00 USD



Main

Range of product	Telemecanique Emergency stop rope pull switches XY2C
Product or Component Type	Dual emergency stop rope pull switch
Device short name	XY2CED

Complementary

Number of cables	2
Bellow material	Nitril
Body Material	Zamak
Cover Material	Stainless steel
Reset	By flush push-button
Contacts type and composition	2 x (1 NC + 1 NO)
Contact operation	Slow-break
Trigger cable anchor point	RH and LH sides
Tightening torque	7.08...10.62 Lbf.In (0.8...1.2 N.m)
Marking	CE
Mechanical durability	60000 Cycles
Distance between cable supports	9.84...16.40 Ft (3...5 m)
[Ithe] conventional enclosed thermal current	10 A
Terminals description ISO n°1	(21-22)NC (13-14)NO
Product Weight	4.19 Lb(US) (1.9 kg)
Compatibility code	XY2CED

Environment

Standards	CSA C22.2 No 14 EN/IEC 60947-5-5 EN/ISO 13850 EN/IEC 60204-1 EN/IEC 60947-5-1 UL 508 Work equipment directive 2009/104/EC Machinery directive 2006/42/EC
Protective treatment	TC
Ambient Air Temperature for Operation	-13...158 °F (-25...70 °C)
Ambient Air Temperature for Storage	-40...158 °F (-40...70 °C)

Ordering and shipping details

Category	22441 - LIMIT SWITCHES,CABLE PULL
Discount Schedule	T
GTIN	3606480879982
Nbr. of units in pkg.	1
Package weight(Lbs)	4.74 Lb(US) (2.15 kg)
Returnability	No
Country of origin	MA

Packing Units

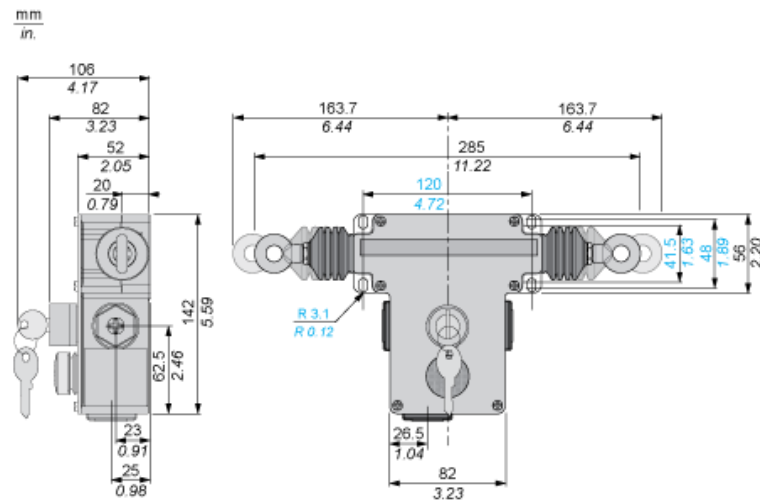
Unit Type of Package 1	PCE
Package 1 Height	4.02 In (10.2 cm)
Package 1 width	6.26 In (15.9 cm)
Package 1 Length	12.17 In (30.9 cm)

Offer Sustainability

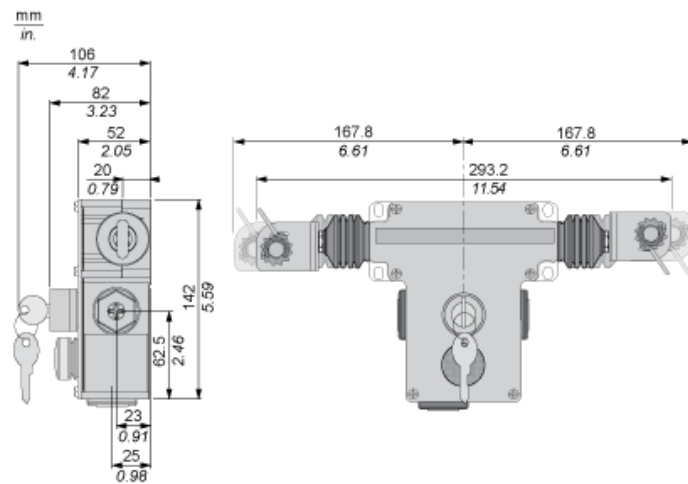
Sustainable offer status	Green Premium product
California proposition 65	WARNING: This product can expose you to chemicals including: Diisononyl phthalate (DINP), which is known to the State of California to cause cancer, and Di-isodecyl phthalate (DIDP), which is known to the State of California to cause birth defects or other reproductive harm. For more information go to www.P65Warnings.ca.gov
REACH Regulation	REACH Declaration
EU RoHS Directive	Pro-active compliance (Product out of EU RoHS legal scope) EU RoHS Declaration
Mercury free	Yes
RoHS exemption information	Yes
Environmental Disclosure	Product Environmental Profile

Dimensions

Without Tensioner



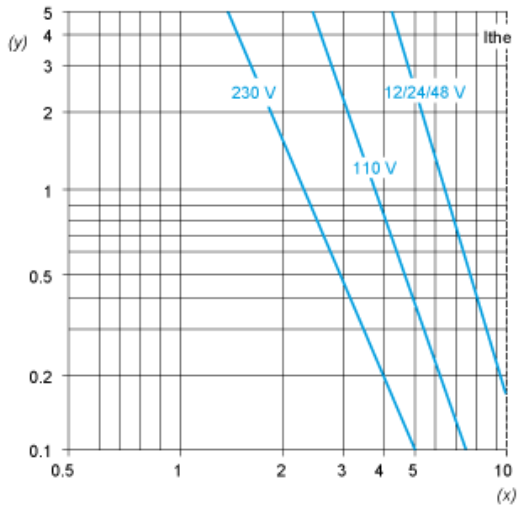
With Tensioners



Electrical Curves

AC Supply 50/60 Hz. \sim Inductive Circuit

2-pole Contact Block



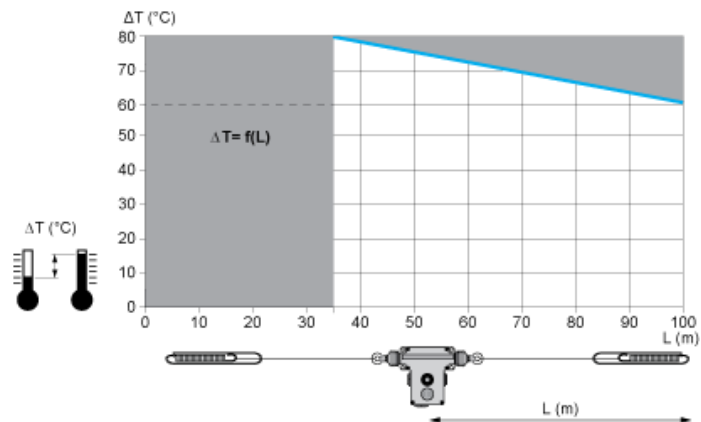
(y) Millions of operating cycles
(x) Current in A

DC Supply. Power Broken in W for 1 Million Operating Cycles. \sim Inductive Circuit

Voltage	V	24	48	120
\sim	W	13	9	7

Mounting and Clearance

Adjustment Values (With End Spring)



In grey prohibited zone

Product Life Status : **Commercialised**